

DESCRIPTION

ProTwin offers similar functions to the other products in the cleaning and sanitation range but offers significant improvements in terms of ease of use, user convenience, flexibility and safety.

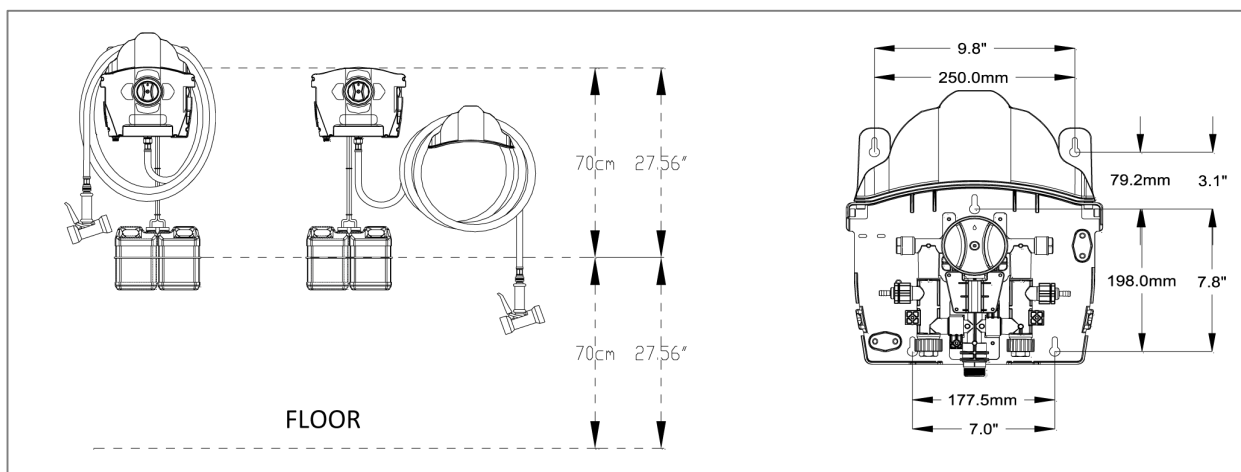
- State of the art, revolutionary hydraulics sets a new industry standard of performance and reliability
- Highly modular proportioning system offering excellent flexibility
- Offers security and outstanding reliability of dosing, managing costs
- Robust and durable enclosure
- Working parameters between 1.5-6 bar up to 50°C
- Very easy to install thanks to mounting bracket solution
- Foam System Accessory provides additional flexibility



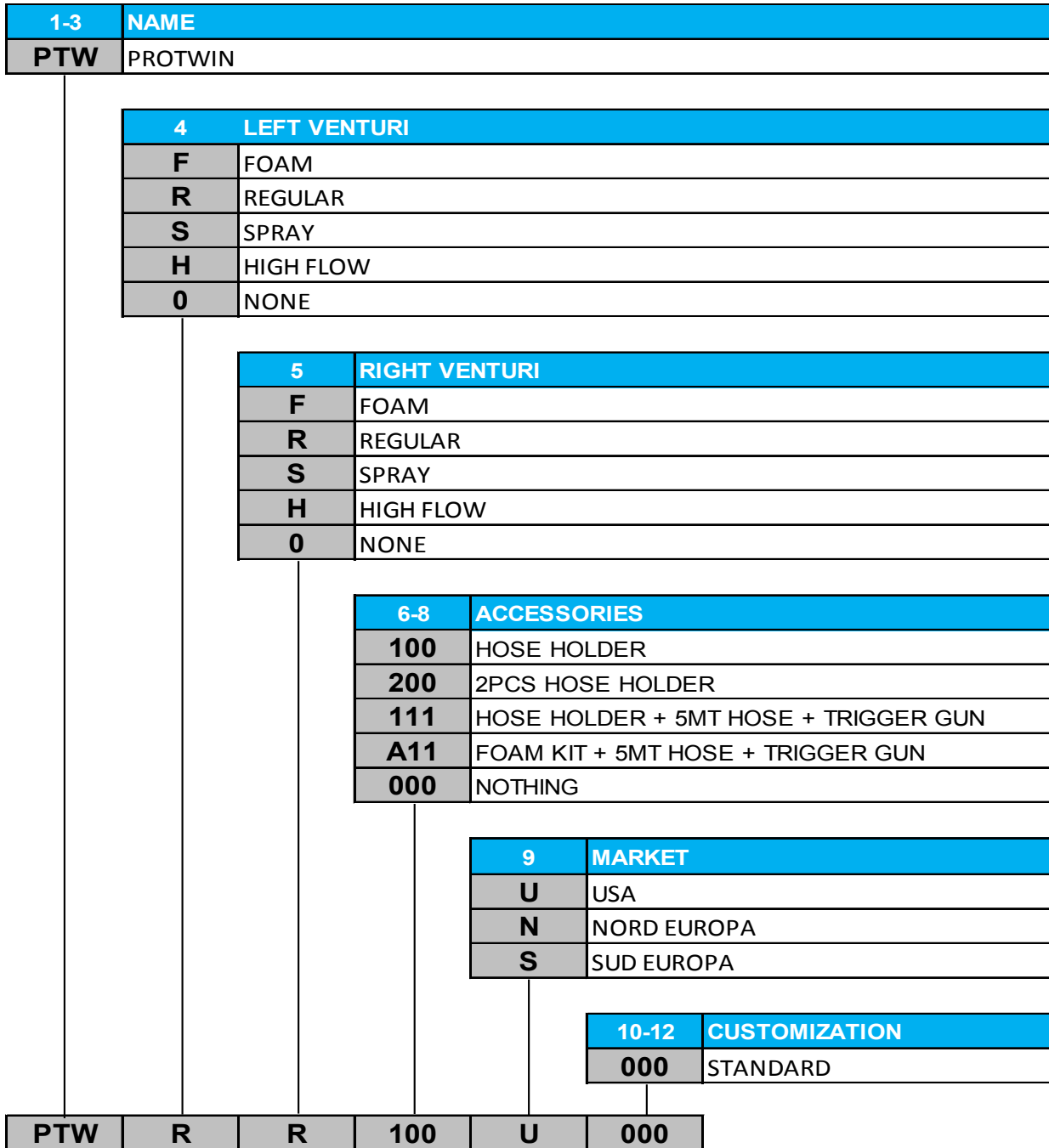
TECHNICAL SPECIFICATIONS

	PROTWIN STANDARD		PROTWIN WITH BA DEVICE	
Inlet connection	Male ¾" GAS or ¾" GHT based on the model			
Outlet connection	Male ¾" GAS or ¾" GHT based on the model			
Chemical product channel flow rate	Water supply of 30l/min flow rate and 3.5bar: 10l/min (2.6GPM)		Water supply of 30l/min flow rate and 3.5bar: 9l/min (2.4GPM)	
Rinse channel flow rate	Water supply of 30l/min at 3.5bar: 13l/min (3.4GPM)		Water supply of 30l/min at 3.5bar: 12l/min (3.2GPM)	
Maximum dimensions (L x H x D)	40 x 33 x 16 cm (15.75 x 13 x 6.3 in)		40 x 37.5 x 16 cm (15.75 x 14.7 x 6.3 in)	
Working pressure	Min 1 bar (14.5 PSI)	Max 6 bar (85 PSI)	Min 1.5 bar (22 PSI)	Max 6 bar (85 PSI)
	Optimum: 2 – 4 bar (30 – 60 PSI)			
Storage Temperature	-20÷60°C			
Operating Temperature	5-50°C			

DIMENSIONAL DRAWING



PRODUCT KEY CODE



DILUTION RATIO CHART

<p>The dilution ratios refer to a static pressure of 3.5bar (50PSI) with products having a viscosity of 1 cps</p>	<p>PROTWIN STANDARD Black Venturi 10l/min (2.6 GPM)</p>	<p>PROTWIN WITH BA DEVICE Black Venturi 9l/min (2.4 GPM)</p>
---	--	---

STANDARD MEASUREMENT TIP	Tip color:	Diameter mm:	Oz/Gal	gr/lit	%	Ratio	Oz/Gal	gr/lit	%	Ratio
	No tips	\	26.9	201	20	4.97 :1	22.86	171	17.1	5.8 :1
	Grey	3.25	26.7	200	20	5.01 :1	22.26	167	16.7	6 :1
	Black	2.54	26	195	19	5.14 :1	21.96	164	16.4	6.1 :1
	Beige	1.78	23.2	174	17	5.76 :1	19.45	146	14.6	6.9 :1
	Red	1.32	15.8	119	12	8.43 :1	14.53	109	10.9	9.2 :1
	White	1.09	10.9	82	8.2	12.2 :1	10.21	76	7.6	13 :1
	Blue	1.01	9.2	69	6.9	14.5 :1	8.94	67	6.7	15 :1
	Tan	0.88	7	53	5.3	19 :1	6.83	51	5.1	20 :1
	Green	0.71	4.8	36	3.6	28.1 :1	4.5	34	3.4	30 :1
	Orange	0.63	3.9	29	2.9	34.4 :1	3.68	28	2.8	36 :1
	Brown	0.58	2.9	22	2.2	46.5 :1	2.69	20	2	50 :1
	Yellow	0.51	2.4	18	1.8	55.1 :1	2.29	17	1.7	58 :1
	Acqua	0.46	1.9	15	1.5	68.9 :1	1.78	13	1.3	75 :1
	Purple	0.36	0.9	7	0.7	145 :1	0.88	6.6	0.66	153 :1
	Pink	0.25	0.6	4.6	0.5	218 :1	0.48	3.6	0.36	276 :1
Transparent	\	No drill				No drill				

ULTRAFINE TIP	Lime	0.228	0.41	3.1	0.31	326 :1	0.39	2.9	0.29	340 :1
	Burgundy	0.208	0.37	2.8	0.28	351 :1	0.36	2.7	0.27	340 :1
	Pumpkin	0.168	0.32	2.4	0.24	415 :1	0.30	2.3	0.23	441 :1
	Copper	0.155	0.27	2	0.2	509 :1	0.24	1.8	0.18	552 :1